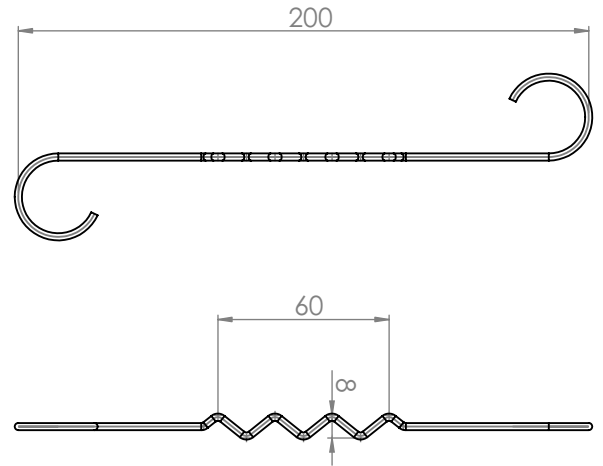


Medium Duty Cavity Wall Tie



DESCRIPTION

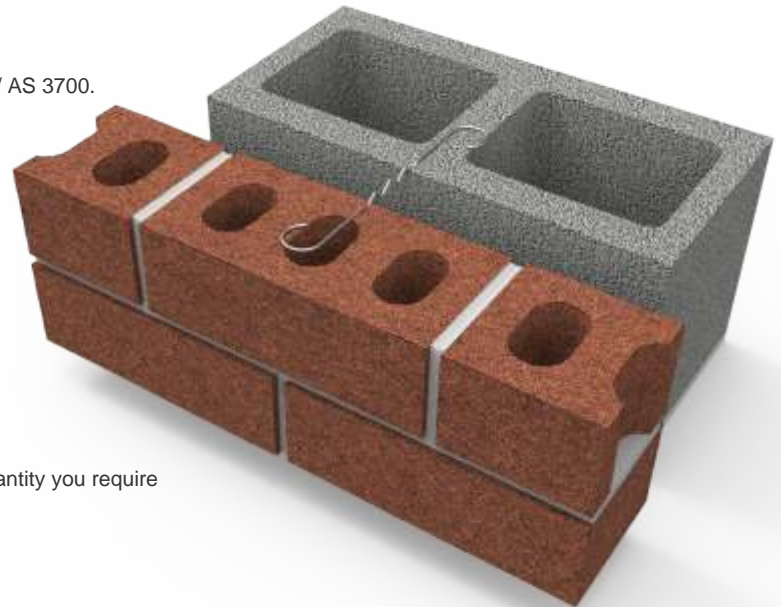
Medium duty cavity wall tie

FEATURES

- Clay brick / clay brick or clay brick / block work
- Maximum cavity 50mm
- Universal applications
- Australian design & tested AS/NZS 2699.2:2020

CORROSION CHARACTERISTICS

Stainless steel 316L (R4)
Conforms to corrosion resistance set by AS/NZS 2699.2:2020 / AS 3700.



ORDERING INFORMATION

When ordering please supply use with the part number and quantity you require

